

Part number

MGP 16.40



Brief description:

surface mounting housing, screw locking, size "77.27", M40, high protection IP68 version, IP68

Product description

Version	high protection IP68 version
Series	surface mounting housing, screw locking
Product type	for 2 screws
Family	IP68 enclosures
Size	size "77.27"

Technical data

IP degree of protection	IP68 (and IP69K DIN 40050 - 9)
Cable entry	M40

Further technical details

Weight	956,00 g
--------	----------

Approvals / Standards

Quality mark	 (type:4/4X/12),  , EAC
Conformity	CQC, CE

General ordering information

EAN13 code	8015747142137
Tariff number	85369095

Packaging Information

Packaging length	200,00 mm
Packaging height	140,00 mm
Packaging width	150,00 mm
Packaging weight	1,91 kg
Packaging volume	4,20 dm ³
Packaging description	Carton box
Packaging quantity	2 Pcs
Packaging EAN code	8015747142649
Sub-packaging weight	0,96 kg
Sub-packaging description	Plastic pakaging
Sub-packaging quantity	1 Pcs
Sub-packaging EAN barcode	8015747142656

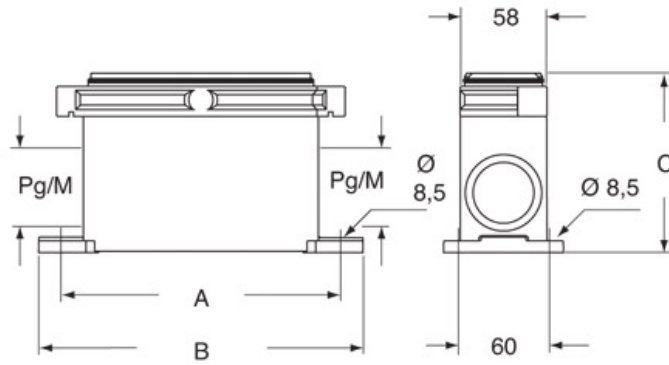
Part number

MGP 16.40



Catalogue drawings

CGP - MGP



	A	B	C
CGP 06 - MGP 06	127	156	110
CGP 10 - MGP 10	140	169	110
CGP 16 - MGP 16	160	189	121
CGP 24 - MGP 24	187	216	121